

HEATER MAIN RELAY INSPECTION

AC204-02

1. DISCONNECT R/B NO. 3

Remove the bolt and nut holding to the R/B No. 3.

2. REMOVE HEATER MAIN RELAY FROM INSTRUMENT PANEL RELAY BLOCK

3. INSPECT HEATER MAIN RELAY

(a) Inspect the relay continuity.

- (1) Using an ohmmeter, check that there is continuity between terminals 1 and 2.

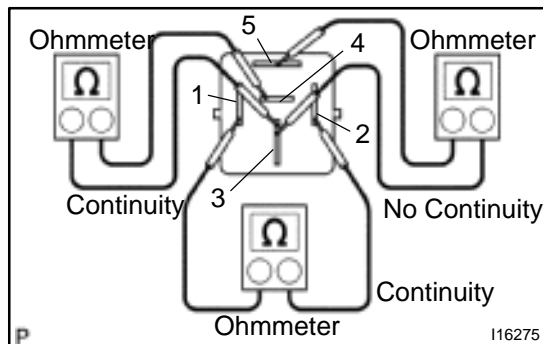
If there is no continuity, replace the relay.

- (2) Check that there is continuity between terminals 3 and 4.

If there is no continuity, replace the relay.

- (3) Check that there is no continuity between terminals 3 and 5.

If there is continuity, replace the relay.



(b) Inspect relay operation.

- (1) Apply battery positive voltage across terminals 1 and 2.

- (2) Using an ohmmeter, check that there is continuity between terminals 3 and 5.

If there is no continuity, replace the relay.

- (3) Check that there is no continuity between terminals 3 and 4.

If there is no continuity, replace the relay.

4. REINSTALL HEATER MAIN RELAY

5. RECONNECT INSTRUMENT PANEL RELAY BLOCK

